

Processing Head (PHFx9-B) COMPACT Series Diode Laser System

Features

This processing head with $f=100\text{mm}$ (standard focal length)¹ is intended to be used with COMPACT Series. The processing head is connected to the diode laser using a SMA-905 fiber, NA 0.22 or QRB/QBH alternatively.



Device Specification

Optical	Units	Standard			Optional		
Connector					SMA-905 or QBH		
Numerical Aperture	NA				0.22		
Focal Length	mm	100 ¹	300	200	150	60	
Working Distance (Stand Off) ¹	mm	95	290	197.5	145	54	
Output Aperture	mm	40	40	40	40	40	

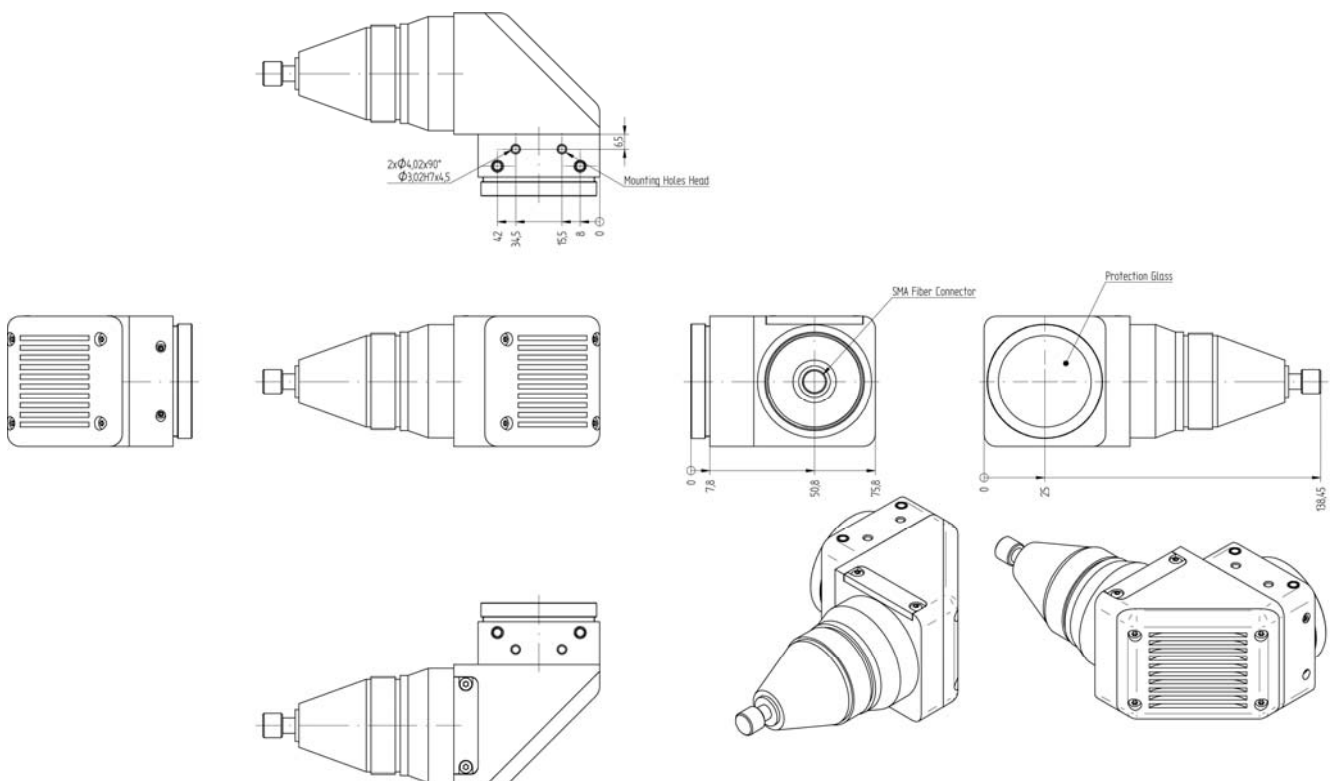
Fiber

Fiber Core Diameter ¹	μm	100, 200, 300, 400, 600 or 800					
Focal Size ² (Factor to Multiply with Fiber Core Diameter)	μm	1.5 x $\pm 50\mu\text{m}$	4.7 x $\pm 50\mu\text{m}$	3.1 x $\pm 50\mu\text{m}$	2.3 x $\pm 50\mu\text{m}$	1.0 x $\pm 50\mu\text{m}$	

Weight

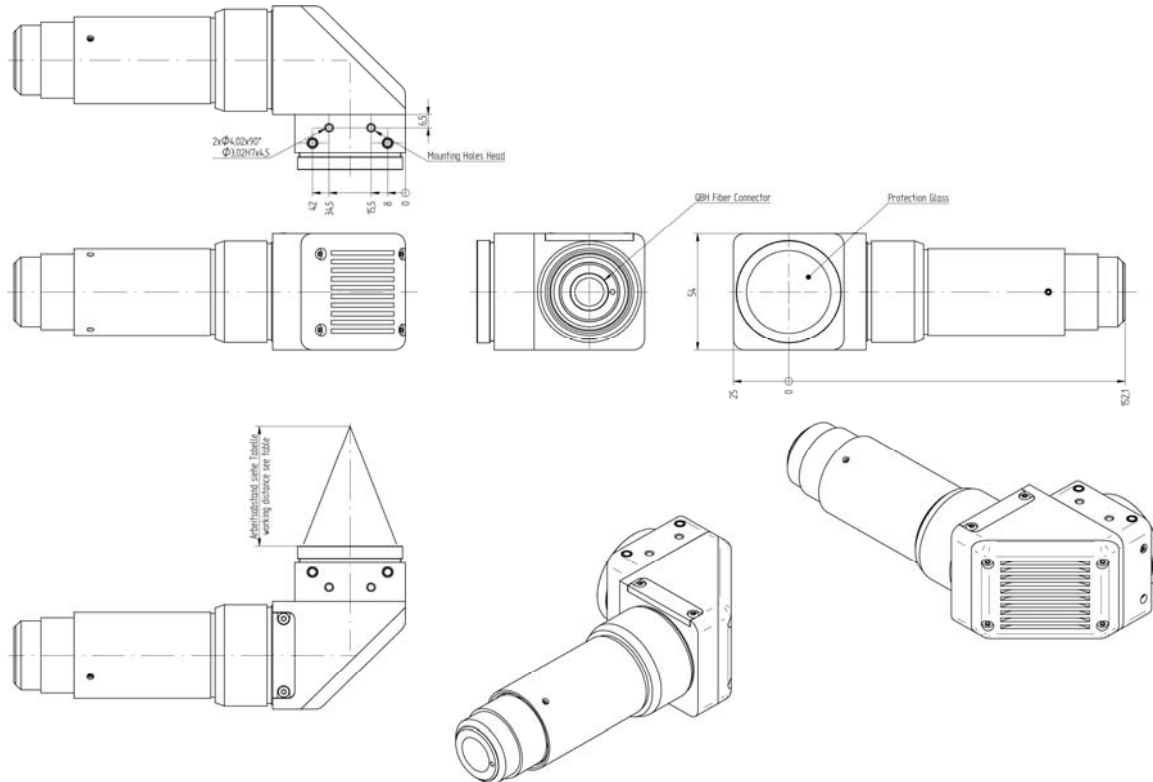
With SMA-905 Fiber Connector	kg	0.66
With QBH Fiber Connector	kg	0.96

Package Dimension (SMA-905)¹



Processing Head (PHFx9-B) COMPACT Series Diode Laser System

Package Dimension (QBH)¹



¹Consult DILAS Industrial Laser Systems for other available options.

²Focal dimensions of diode lasers can deviate in practice depending on measuring method by $\pm 10\%$.

³For standard focal length $f=100$.



U.S. CFR Regulation

The manufacturer and subsequent sale of laser equipment is under the guidelines governed by the U.S. Center for Devices and Radiological Health (CDRH). In accordance to those guidelines, specifically Subchapter J of the Radiation Standards, 21 CFR, the diode laser is registered as a CLASS 4 laser product.

European Commission

In accordance to EN 60825, Safety of Laser Products, the diode laser is registered as a CLASS 4 laser product.

Products specifications are subject to change without notice. For handling precautions, please reference the general handling instruction manual. For additional information, please contact your local sales representative or visit our website at www.dilas-ils.com.

DILAS Industrial Laser Systems

a division of DILAS Diodenlaser GmbH
Galileo-Galilei-Straße 10
55129 Mainz
Germany

Phone: +49 (6131) 9226 400
Fax: +49 (6131) 9226 444
Email: sales@dilas-ils.com
www.DILAS-ILS.com