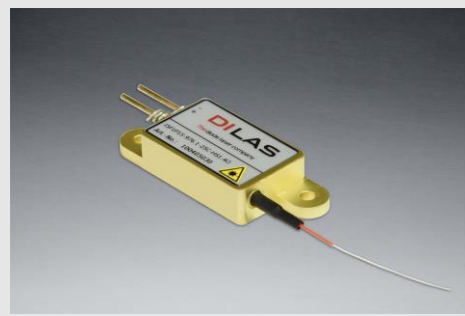


# 976nm, 20W, Conduction-Cooled, Fiber-Coupled Diode Laser Module



## Features

- Compact package
- 106.5µm fixed fiber pigtail
- Low NA 0.15 fiber
- VBG for wavelength stabilization



## Device Specification

Optical Parameters <sup>1</sup>	Units	
Center Wavelength Range <sup>3</sup>	nm	976
Center Wavelength Tolerance <sup>3</sup>	nm	±1
Output Power <sup>2</sup>	W	20
Spectral Width (90%)	nm	~1
Wavelength Temp. Coefficient	nm/°C	~0.01
Slope Efficiency	W/A	2 ~ 2.6
Numerical Aperture	NA	95% in 0.12

Fiber Parameters		
Fiber Core Diameter	µm	106.5 ±1.5
Fiber Clad Diameter	µm	125 ±1
Fiber Coating Diameter	µm	245 ±15
Fiber Jacket Diameter	µm	245
Numerical Aperture <sup>3</sup>	NA	0.15 ±0.02
Fiber Connector		Fiber Pigtail
Fiber Length	m	>1.5

Electrical Parameters <sup>1</sup>		
Power Conversion Efficiency	%	>45
Threshold Current (I <sub>TH</sub> )	A	<0.8
Operating Current (I <sub>OP</sub> )	max. A	8
Operating Voltage (V <sub>OP</sub> )	max. V	<6.0

Thermal Parameters		
Operating Temperature Range <sup>3, 4</sup>	°C	+20 to +30
Storage Temperature Range <sup>4</sup>	°C	0 to +55
Recommended Heatsink Capacity	W	60
Max. Soldering Temperature for Electrical Leads	°C	320
Max. Soldering Time per Lead	s	10

<sup>1</sup>Data at 25°C housing temperature.

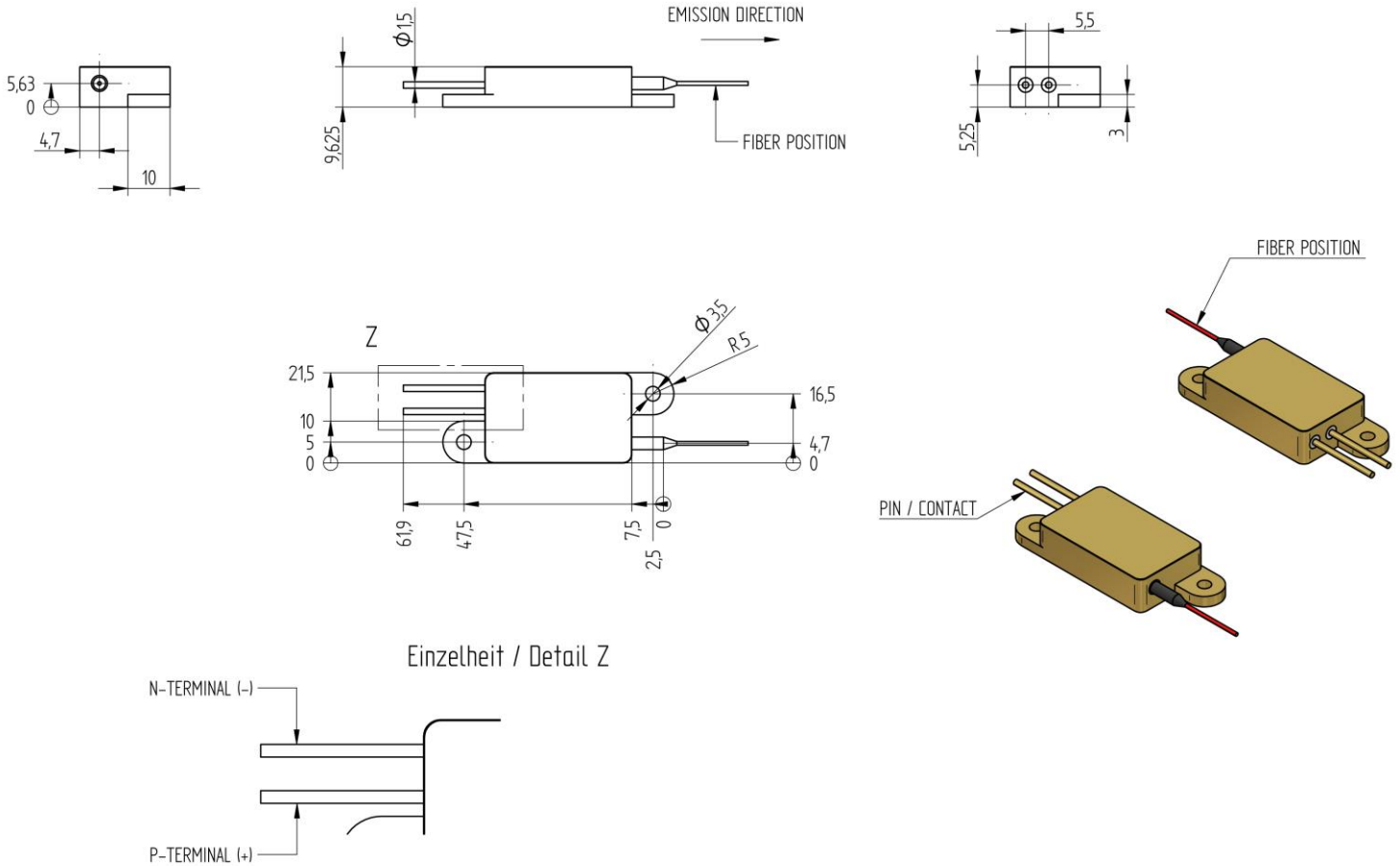
<sup>2</sup>Reduced lifetime if used above nominal operating conditions.

<sup>3</sup>Others available upon request.

<sup>4</sup>A non-condensing environment is required for storage and operation below the ambient dew point.

# 976nm, 20W, Conduction-Cooled, Fiber-Coupled Diode Laser Module

## Package Dimension



Einzelheit / Detail Z



All rights reserved. DILAS reserves the right to change product specifications without notice. For handling precautions, please reference the general handling instruction manual.

For complete details, please contact your local DILAS sales representative or visit our website at [www.DILAS.com](http://www.DILAS.com).

**Europe**  
**DILAS Diodenlaser GmbH**  
 Galileo-Galilei-Straße 10  
 55129 Mainz  
 Germany  
 Phone: +49 (0)6131 9226 0  
 Fax: +49 (0)6131 9226 257  
 Email: [sales@DILAS.de](mailto:sales@DILAS.de)

**North America**  
**DILAS Diode Laser, Inc.**  
 9070 South Rita Road  
 Suite 1500  
 Tucson, AZ 85747  
 Phone: +1 (520) 232-3480  
 Fax: +1 (520) 232-3499  
 Email: [sales@DILAS-INC.com](mailto:sales@DILAS-INC.com)

**China & Taiwan**  
**DILAS Diodenlaser GmbH**  
 China Sales Office  
 Room 206, Sunplus Technology, Bldg. 2  
 No. 1077 Zu Chongzhi Road  
 Hi-Tech Park, Shanghai 201203,  
 P.R. China  
 Phone: +86 (0) 21-6855-2216  
 Fax: +86 (0) 21-5027-3793  
 Email: [sales@DILAS-CHINA.com.cn](mailto:sales@DILAS-CHINA.com.cn)